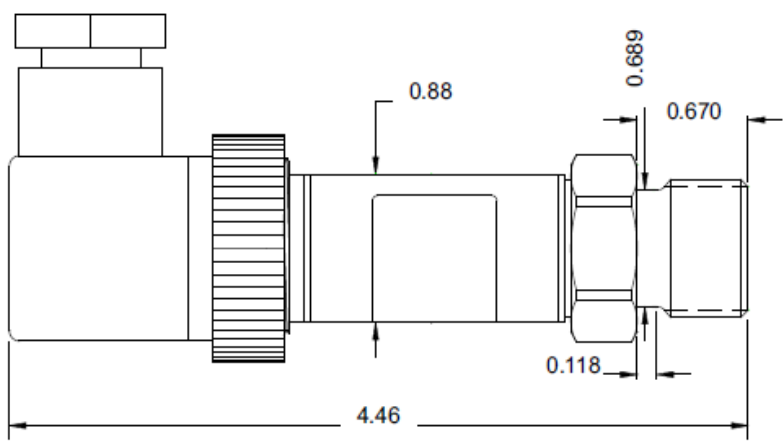
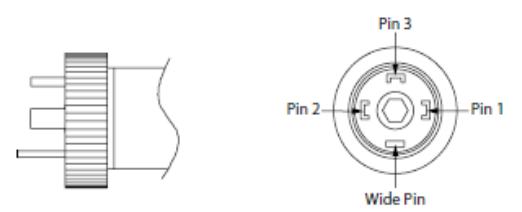
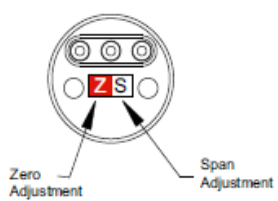


AST4000

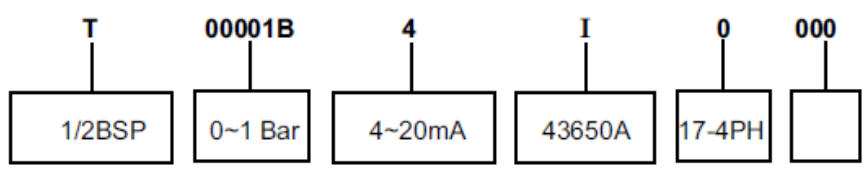
Stainless Steel Media Isolated pressure Sensor



Performance @ 25°C (77°F)	
Accuracy	<±0.5%FS
Stability(1 year)	±0.25%FS, typical
Over range Protection	2X Rated Pressure
Burst pressure	5X or 20,000 psi (whichever is less)
Pressure Cycles	>100 Million



Series Type **AST4000** Information



DIN43650A 18.0mm				
Output Type	Pin1	Pin2	Pin3	Wide Pin
4-20 mA	+V	-V	N/C	N/C

Electrical Data	
Input pressure range	-1~1 Bar to -1~700Bar
Output	4-20mA
Accuracy	<±0.5% of FS
Pressure cycles	> 100 million

Environmental Data	
Temperature	
Operating (Ambient)	-40 to 85°C
Storage (Ambient)	-40 to 120°C
Media temperature	-55 to 125°C
Compensated temperature range	0 to 55°C
TC Zero	<±1.5% of FS
TC Span	<±1.5% of FS
Wetted Material	17-4PH